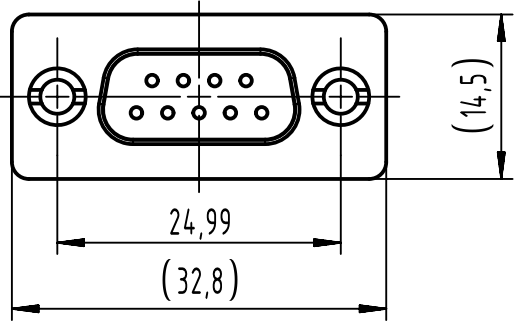
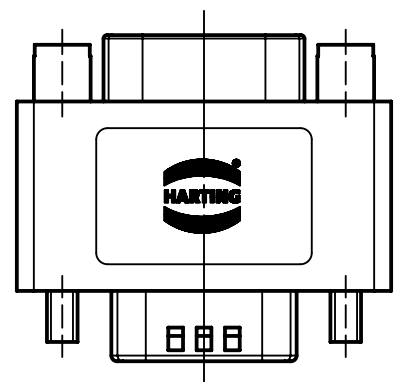
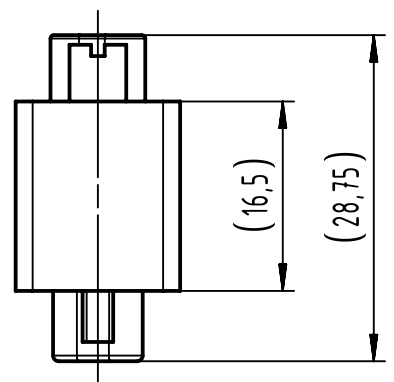
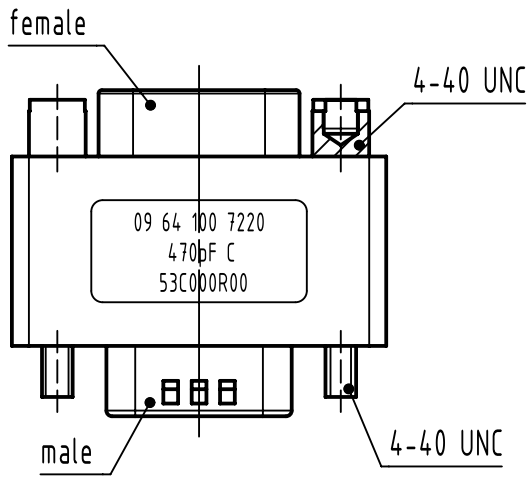


1 2 3 4 5 6

A
B
C
D



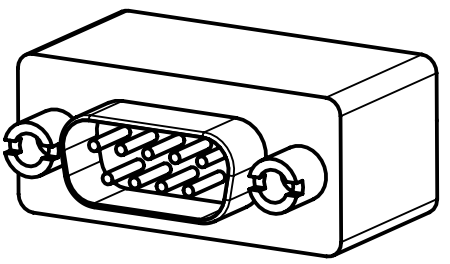
Specifications

Filter type C
 Capacitance 470pF +/- 20% @ max.100V
 Current rating 6.5A

Minimum insertion loss

Frequency (MHZ)	Attenuation (dB)
5	-
10	1
50	10
100	15
500	35
1000	32

note: Jack-screws are not pre-mounted to allow mounting from ends



	All Dimensions in mm Original Size DIN A4	Scale 2:1	Free size tol.		Ref.	
	All rights reserved Department EL PD	Created by ZHUANGJ	Inspected by LUOK	Standardisation 302077	Date 2021-06-02	State Final Release
HARTING D-32339 Espelkamp		Title Male/Female D-Sub filter adapter 9-pole 470pF			Doc-Key / ECM-Nr. 100958278/UGD/000/A 500000195946	
		Type TB	Number 09641007220		Rev. A	Page 1/1